

Tip Style	A	B	F	D	HS	H16	T	P	BD
Material	B	B-S	B	B	B-S	B	B	B-S	B
Ø mm	2,30	1,80	1,40 2,30	2,30	1,40	2,30 3,00	3,00	2,30 3,00	1,80

Technical Data

Recommended Minimum Centers : 4 mm
 Current Rating : 3,0 - 5,0 A
 Typical Contact Resistance : 30 m Ω
 Recommended Working Travel : 4 mm

Materials

Barrel : Brass, gold plated
 Spring : Music Wire, silver / gold plated
 Plunger : Becu, hardened 24 Kt. gold plated

Max Travel : 5,0 mm.

Spring Force : 200 gr.

Preload : 60 gr.

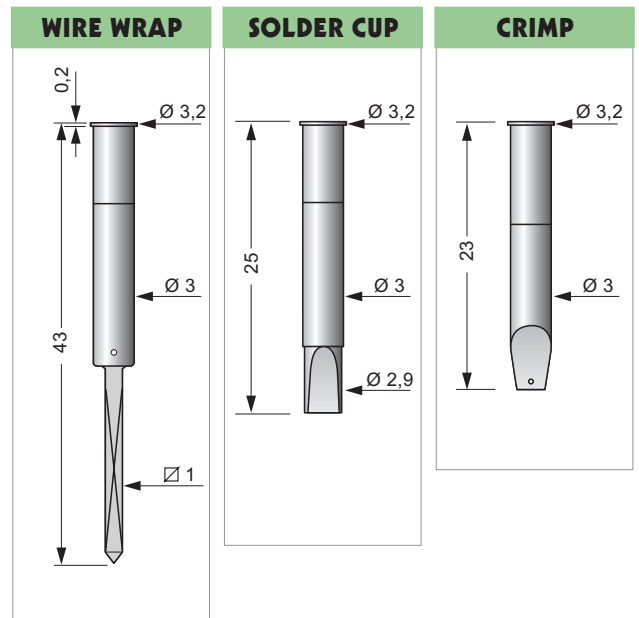
Spring options : 100-300-400-500 g.

How to Order:

Serie	Material	Plunger	Ø	Spring Force	Galvanic
	B=Becu S=Steel SS=Stainless St.				G = gold N = nickel R = rodium
TK-113	<input type="text"/>	<input type="text"/>	<input type="text"/>	<input type="text"/>	<input type="text"/>
TKR-113	<input type="text"/>		TKC-113	<input type="text"/>	

Receptacle

TKR-113



COLLARS HEIGHT TKC-113

