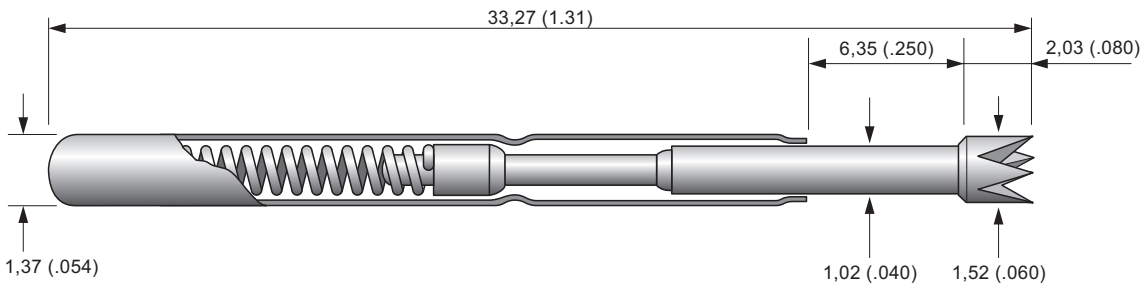


# TK-25

100 Mils

## STANDARD PROBE



**G**eneral purpose standard probe for bare and loaded board.

**C**ompatible with most popular productions.

**W**ide choice of heads style and finish.

**B**est manufacturing process for top quality insurance.

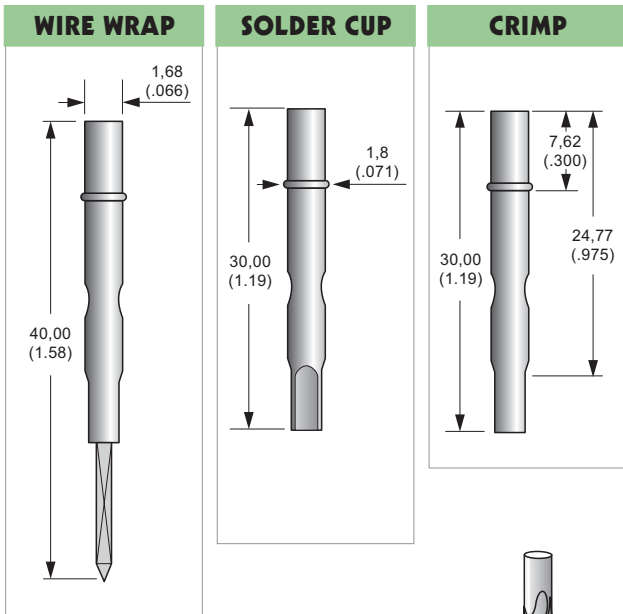
**L**ong mechanical life.

Tip Style	A	B	F	D	E	HS	H	B9	H16	T	P	ZT	L	R	X	V	TN*
Material	B	B-S	B	B	B	B-S	B	B	B	B	B-S	S	B-S	B-S	B	B	S
Ø mm	1,02 1,52	1,02	1,02 1,52	1,02 1,27 1,52	1,02 1,52	0,60	1,02 1,52	0,60 0,75 1,02	1,52	1,52	1,52	1,02 1,52	1,02 1,27 1,52	1,02	1,52		1,60

\* 5 mm longer as standard

### Receptacle

### TKR-25

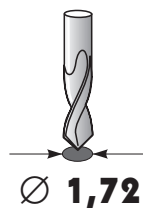


#### How to Order:

**TKR-25**

W

C = Crimp  
S = Solder cup  
W = Wire wrap  
WW = With Wire



FR4 suggested drill diameter

### Technical Data

Recommended Minimum Centers : 2,54 mm (.100)  
Current Rating : 2,0 - 3,0 A  
Typical Contact Resistance : 14 mΩ  
Recommended Working Travel : 4,32 mm (.170)

### Materials

Barrel : Brass, gold plated  
Spring : Music Wire, silver / gold plated  
Plunger : Becu, hardened 24 Kt. gold plated

**Max Travel** : 6,35 mm. (.250)

**Spring Force** : 200 gr.

**Preload** : 57 gr.

**Spring options :**

100 g. (3.5 oz)  
150 g. (4.3 oz)  
250 g. (7.5 oz)  
300 g. (10.5 oz)

#### How to Order:

Serie	Material	Plunger	Ø	Spring Force	Galvanic
TK-25	B=Becu S=Steel				G = gold N = nickel R = rodium

DIMENSIONS IN MILLIMETERS (INCH)  
ADDITIONAL CONFIGURATIONS ON REQUEST - SPECIFICATIONS SUBJECT TO CHANGE