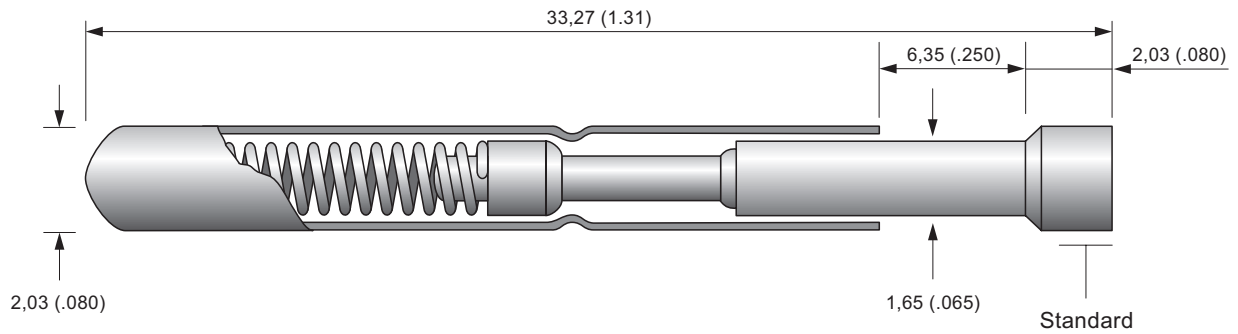


STRONG HEAVY DUTY PROBE 125 Mils


Tip Style	A	B	F	D	E	H	H16	T	ZT	L
Material	B	B-S	B	B	B-S	B-S	B	B-S	S	B-S
∅ mm	1,65 2,54	1,65	1,65 2,54	2,03 2,54	2,54	2,54	2,54 4,00	2,54	1,65	2,54

Technical Data

Recommended Minimum Centers : 3,18 mm (.125)
 Current Rating : 5,0 A
 Typical Contact Resistance : 50 m Ω
 Recommended Working Travel : 4,32 mm (.170)

Materials

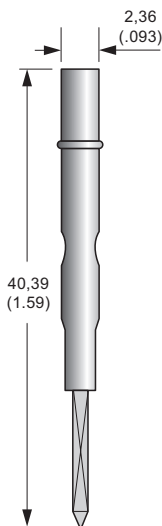
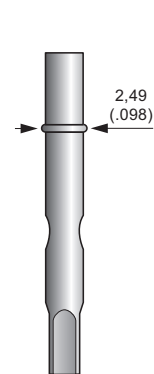
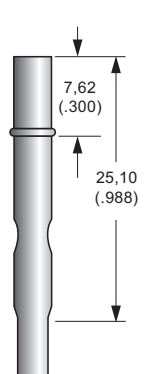
Barrel : Brass, gold plated
 Spring : Music Wire, silver / gold plated
 Plunger : Becu, hardened 24 Kt. gold plated

Max Travel : 6,35 mm (.250) **Spring options :** 150 g.
 200 g.
 250 g.
 300 g..
Spring Force : 114 gr.
Preload : 60 gr.

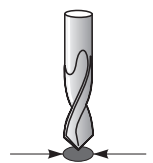
How to Order:

Serie	Material	Plunger	∅	Spring Force	Galvanic
	B=Becu S=Steel SS=Stainless St.				G = gold N = nickel R = roodium
TK-3	<input type="text"/>	<input type="text"/>	<input type="text"/>	<input type="text"/>	<input type="text"/>

DIMENSIONS IN MILLIMETERS (INCH)
 ADDITIONAL CONFIGURATIONS ON REQUEST - SPECIFICATIONS SUBJECT TO CHANGE

Receptacle
TKR-3
WIRE WRAP

SOLDER CUP

CRIMP

How to Order:

TKR-3
 C = Crimp
 S = Solder cup
 W = Wire wrap
 WW = With Wire



∅ **2,40**

FR4 suggested drill diameter