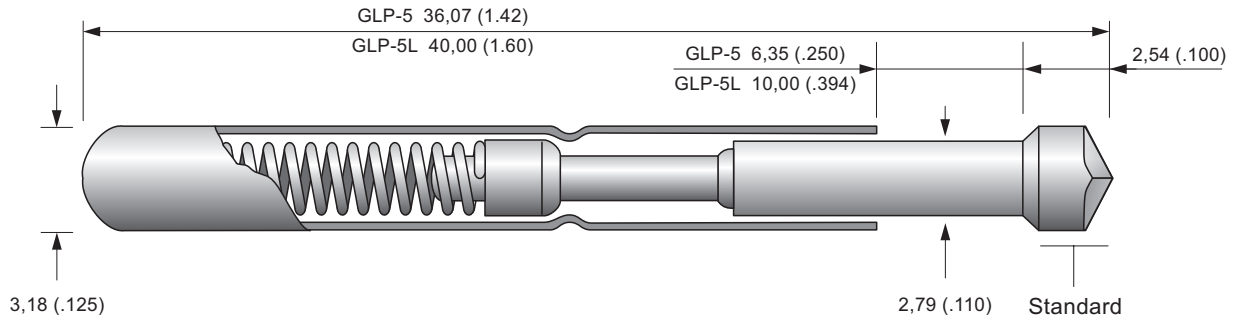


STRONG HIGH CURRENT PROBE



Tip Style	A	B	F	D	E	BD	H	H16	T	P	ZT
Material	B	B-S	B	B	B-S	B	B-S	B	B-S	S	S
Ø mm	3,96	2,79	2,79 3,96	2,79 3,96	2,79 3,96	2,79	3,96	2,79 3,96	3,96	2,79	2,00 2,79

Technical Data

Recommended Minimum Centers : 4,75 mm (.187)
 Current Rating : 5,0 A
 Typical Contact Resistance : 50 m Ω
 Recommended Working Travel : GLP-5 4,32 mm (.170)
 GLP-5L 8 mm (.314)

Materials

Barrel : Brass, gold plated
 Spring : Music Wire, silver / gold plated
 Plunger : Becu, hardened 24 Kt. gold plated

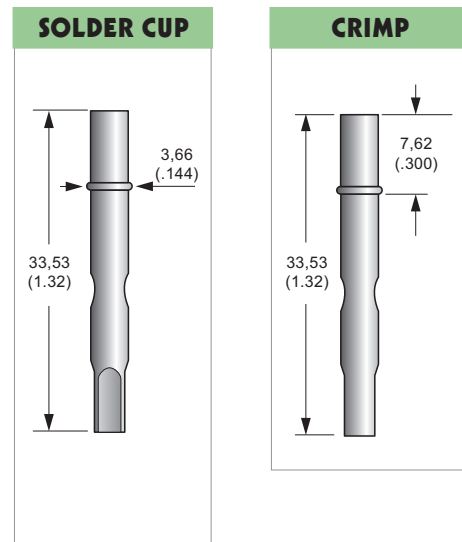
	TK-5	TK-5L
Max Travel :	6,35 mm (.250)	10 mm (.394)
Spring Force :	400 gr.	400 gr.
Preload :	79 gr.	79 gr.

How to Order:

Serie	Material	Plunger	Ø	Spring Force	Galvanic
	B=Becu S=Steel SS=Stainless St.				G = gold N = nickel R = roodium
TK-5	<input type="text"/>	<input type="text"/>	<input type="text"/>	<input type="text"/>	<input type="text"/>

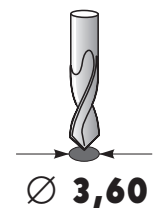
Receptacle

TKR-5



How to Order:

TKR-5	<input type="text" value="W"/>
	C = Crimp S = Solder cup



FR4 suggested drill diameter