

**G**eneral purpose standard probe for bare and loaded board.

**C**ompatible with most popular productions.

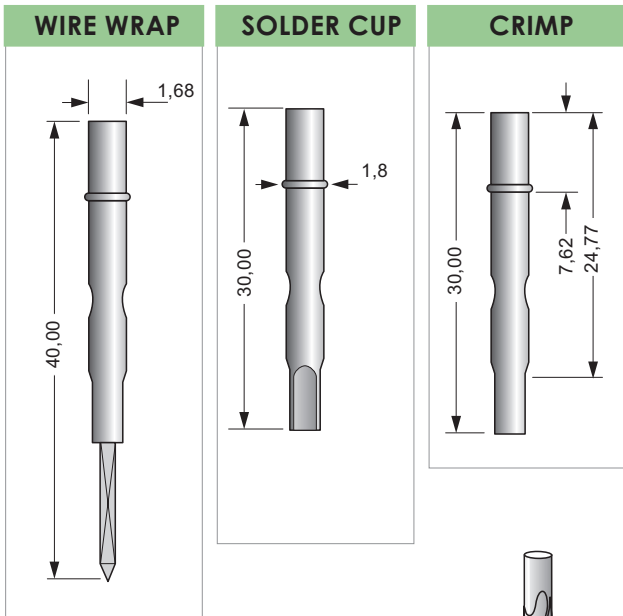
**W**ide choice of heads style and finish.

**B**est manufacturing process for top quality insurance.

	A	B	H	B9	T	P	ZT	L	R	X	V
<b>Plunger Material</b>	B	B-S	B	B	B	B-S	S	B-S	B-S	B	B
<b>∅ mm</b>	1,52	0,90	1,52	0,90	1,52	1,70	0,90	1,27 1,52	1,02	1,52	1,40

### Receptacle

### TKR-25



#### How to Order:

**TKR-25**

W

C = Crimp  
S = Solder cup  
W = Wire wrap  
WW = With Wire



FR4 suggested drill diameter

### Technical Data

Recommended Minimum Centers : 2,54 mm  
Current Rating : 2,0 - 3,0 A  
Typical Contact Resistance : 14 mΩ  
Recommended Working Travel : 4,32 mm

### Materials

Barrel : Brass, gold plated  
Spring : Music Wire, silver / gold plated  
Plunger : Becu, hardened 24 Kt. gold plated

**Max Travel :** 6,35 mm.      **Spring options :** 100 g.  
150 g.  
**Spring Force :** 200 gr.      250 g.  
300 g.  
**Preload :** 57 gr.

#### How to Order:

Serie	Material	Plunger	∅	Spring Force	Galvanic
<b>TKS-100</b>	B=Becu S=Steel				G = gold N = nickel R = rodium